

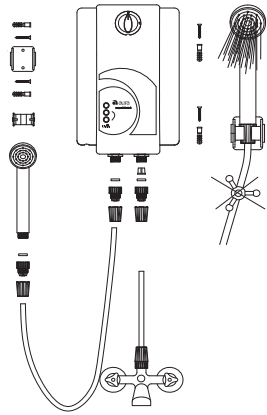
INSTALLATION MOUNTING OF DEVICE FOR OPEN OUTLET (MODEL 105MC...)

WARNING!

The water inlet of this appliance shall not be connected to inlet water obtained from any other water heating system.

This appliance is not to be used for a potable water supply.

- This device must be mounted vertically.
- The plumbing installation and electrical installation must comply with national/regional, building regulations or any particular regulations as specified by the local Electrical Supply Company & Local Water Company or Water Undertakers
- This appliance is intended to be permanently connected to the fixed wiring of the electrical mains system.
- Make sure all electrical connections are tight to prevent overheating.
- Mounting of Device to Shower and Parts to be used



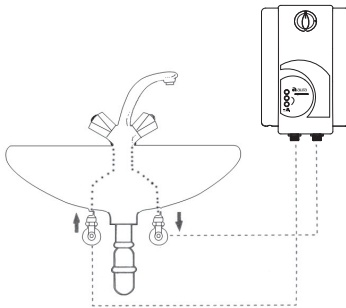
CAUTION!

The water outlet must not be connected to any tap/valve or fitting other than those specified. Do not take risks with plumbing or electrical equipment. Isolate electrical and water supplies before proceeding with the installation. Do not tile up to or seal around ANY PART of the unit using silicone sealer after fixing to the wall. Do not block or seal any vent on the unit.

MOUNTING OF DEVICE FOR CLOSED OUTLET (MODEL 105MC..C)

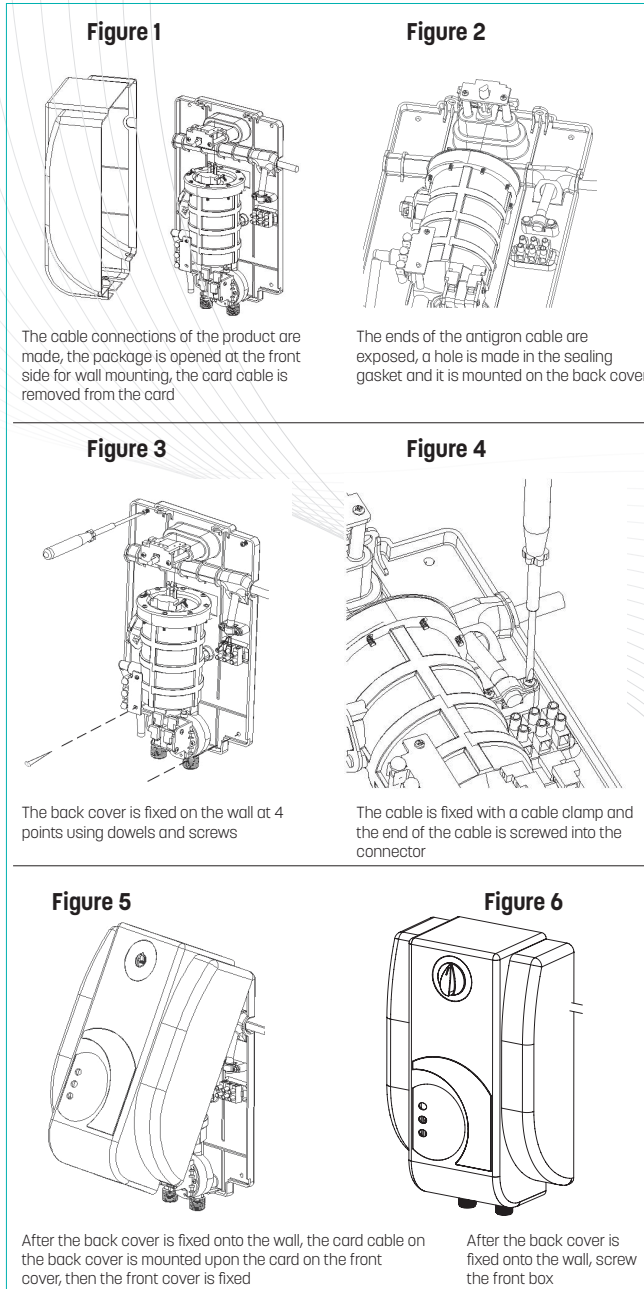
Mounting of Device to Main Pipe Line

- * Water inlet and outlet of the device is R 1/2".
- * Connect the blue colour cold water inlet pipe to cold water pipe line with a flexible hose.
- * Connect the red colour hot water outlet pipe to hot water pipe line with a flexible hose.



WARNING: All poles shall be disconnection with contact opening at least 3.5 mm means for disconnection must be incorporated in the fixed wiring should be in accordance with the national wiring rules. The appliance must be connected to water supply should be according the national installation rules.

MOUNTING DIAGRAM



Instant Water Heater premium

User Manual



MODEL
105 MC...
105MC..C

Dear Customer,

Thank you for choosing our product. We hope that Premium Water Heater, which has been manufactured in modern facilities in pursuant to high-quality standards, will provide the best efficiency for you. Therefore, please read the entire user manual thoroughly and keep it for future reference.

TECHNICAL SPECIFICATIONS

Voltage	: 220-240 VAC
Frequency	: 50/60 Hz
Power	: 7 kW
Operatable min. water pressure	: 2.5 mSS
Inlet Controlled Pressure	: 0 Pa (model 105MC...)
Outlet Controlled Pressure	: 1,0 MPa (model 105MC...C)
Min. Operating Pressure	: 25 kPa (2.5 mSS)
Max. Operating Pressure	: 600 kPa (61 mSS)
Flow rate	: 100-240 L/hour
Size (H, W, D)	: 330x210x110 mm
Net Weight:	: 2 kg
Protection Class	: I
Zmax	: 0.21 + j 0.13 Ω
Protection against moisture	: IP44

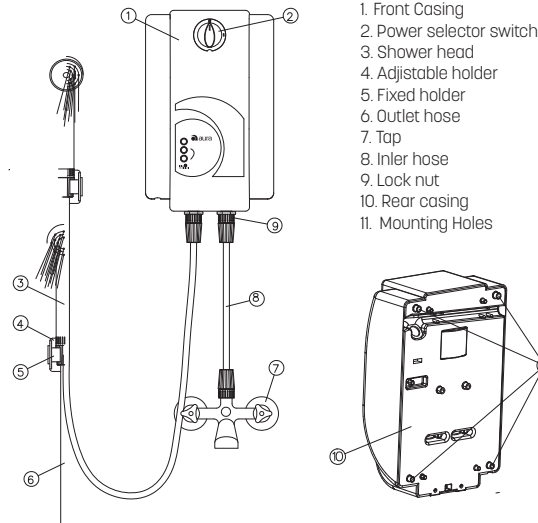
IMPORTANT WARNINGS

- It is under the consumer's own responsibility to suit electrical and water installation to the water heater.
- For your appliance with 7 kW heating power being able to be mounted, have its necessary electrical and water installation made by qualified electricians and plumbers.
- The electrical connection of the device must be earthed. It should never be used in buildings which do not have an earth, have an inadequate earth or an earth which fails to comply the rules. Otherwise, our company shall not be responsible from problems to be occurred.
- Your appliance is only for household use. It should not be used for commercial or industrial purposes (at hairdressers which require continuous hot water, and workplaces such as construction sites, small scale workshops etc.).
- Your appliance can not be connected to main water supply in the flat, should be connected to where authorized service deems suitable.
- Authorized Service only makes the electrical connection of the appliance to the completed installation, and its initial starting.
- Do not mount your water heater where the water in its inside may freeze. In case the water freezes, do not operate your appliance. It must thaw out before using.
- The appliance should be connected to minimum 32 Amper-Automatic fuse. This may be part of the consumer unit or a separate unit.
- When your appliance is operating, do not operate other devices which have more than 1 kW power (oven, iron, washing machine, dishwasher etc.).
- Only use the hose and fittings given with the appliance when installing. Do not use pre-used hose or fittings.
- Always contact with Authorized Service for all kind of malfunctions, maintenance and spare part procurement.
- In places where the water pressure is more than 6 bars, it is recommended to insert a pressure reducer regulator to cold water inlet of your water heater. The hoses or pipes which shall be directly connected to the installation should be resistant to 6 bar operating pressure.
- If it is intended to operate the shower in areas of hard water (above 200 ppm temporary hardness), a scale inhibitor may have to be fitted.
- According to the season's temperature, inlet water temperatures will vary. You may supply hot water as you wish by adjusting the water temperature selection stepping switch and water inlet amount.
- Power supply of the water heater is deactivated in case of inadequate pressure or

water cut. When it reaches the adequate pressure, power supply is activated again.

- This appliance can be used by children from 8 years and above and people with reduced physical, sensory or mental capabilities or lack of experience and knowledge if they have been given supervision or instruction concerning the use of the appliance in a safe way and understand the hazards involved. Children must not play with the appliance. Cleaning and maintenance by the user must not be performed by children, unless they are over 8 years old and supervised. Keep the appliance and its cord out of reach of children aged less than 8 years.
- Power selector should be at "0" position when the appliance is not used.
- Do not operate the unit if the showerhead or spray hose becomes damaged.
- Do not restrict flow out of shower by placing showerhead in direct contact with your body.
- The showerhead must be cleaned regularly with descalant to remove scale and debris, otherwise restrictions to the flow on the outlet of the unit will result in higher temperatures and could also cause the Pressure Relief system in the unit to operate.
- This product is not suitable for mounting into steam rooms or steam cubicles.

INTRODUCTION OF WATER HEATER



GENERAL FEATURES

POWER SWITCH : Controls the power as 3 different level (3,4,7 kW) to adjust the water temperature.

INDICATION LAMPS : The lamp at the top indicates the power, the other lamps indicate power levels.

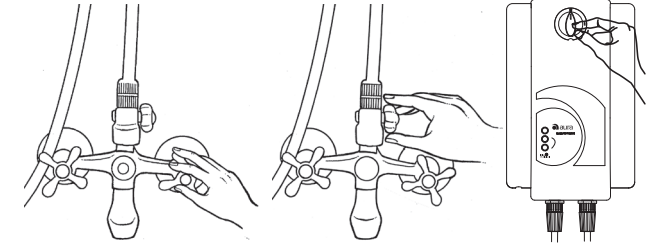
DIAPHRAGM GROUP : This sophisticated group controls the power depending on the differential pressure on both sides of rubber membrane. It shuts of the power when the differential pressure is not enough.

THERMOSTAT : Prevents the over heating of the water by shutting off the heating element.

RESET THERMOSTAT : It is a double safety feature for over heating. If thermostat is failed its function, reset thermostat prevents over heating.

HOW TO OPERATE

1. Turn on the water tap. (Figure 1)
2. Adjust the flow rate by using the spherical valve. (Figure 2)
3. Depending on the season and water temperature desired, the selector switch should be positioned to the desired level of 1,2 or 3.
4. To turn off your water heater, the power selector switch should be at "0" position first. Wait until water cools down.
5. When water cools down, close the water tap.
6. This shut off process will protect the heater resistance against lime scale deposits resulting decrease on heating and resistance failure.



- **WARNING:** If restarting the shower immediately after stopping, be aware that a slug of hot water will be expelled for the first few seconds.

MAINTENANCE

1. The maintenance of the appliance must be performed by an authorized service personal only.
2. Before any maintenance or service, turn off the main power of the house. Make sure that the power is off by checking with a voltmeter.
3. If the water has too much lime, a water purificating system is recommended to purify water. The failures caused by lime scale deposits is not under warranty.
4. For open outlet water heaters used with spray head and spray head must be descaled regularly.
5. Clean the front casing with a cloth using detergent. (do not use gasoline, solvent, thinner, etc. for cleaning the case)

WARRANTY CONDITIONS

This product is manufactured for global distribution and sales. Since the warranty conditions and periods of this type of product varies from country to country, please contact your regional distributor or seller for information concerning the applicable warranty and service policies. Please make sure you understand clearly the policies and procedures concerning the warranty. It is solely the distributor's responsibility to set up a warranty policy in compliance with the local laws and regulations. Please report your comments and complaints to the distributor or to the manufacturer.

Importer : Akçali UK Limited
Third Floor 207 Regent Street
W1B 3HH - London, UK
info@wrtrade.co.uk
Tel:+44 (0) 748 181 0270

Manufacturer : İhlas Ev Aletleri İml.San.Tic.A.Ş.
34524 İstanbul, Türkiye
www.iea.com.tr - info@iea.com.tr